



## January 2023 Needle Case Templates etc

Felt/thermolam cut to 12" x 7.5" for cover

(This is what you will be flip'n'stitching onto )

Assorted scraps

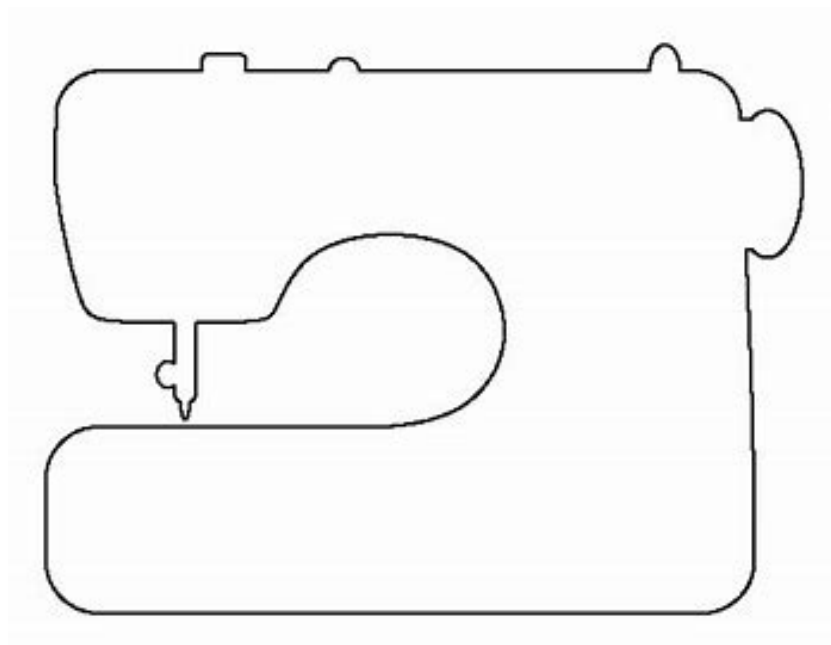
Two pieces of felt 2.5" x 4.5" for the spare needles and scissors.

Two 5" x 4.5" pieces of felt for the pages for pins and needles

Two pieces of vinyl 2.5" x 7.5" for the pockets

Two pieces of 2" x 7.5" fabric pressed in half for the edge binding of the vinyl pockets.

Lining piece of fabric 12" x 7.5" with stiff interfacing ironed on the back



Please refer to the January YouTube video for instructions

<https://youtu.be/fSEN3qKkgBo>